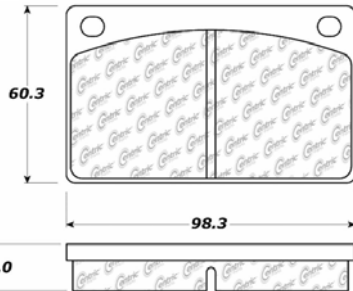


# Bromsbelägg Volvo 200/700/900-serie FRAM

**Girling 4-k**

**10X.00430**

Uses shim kit #: 115.00040



FMSI:  
764-D43  
784-D43  
7254-D43

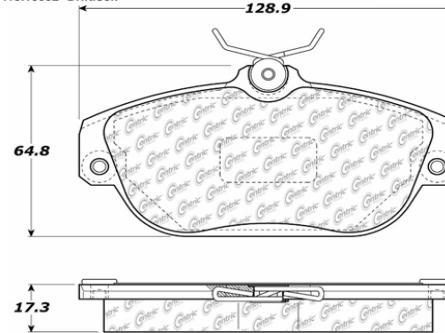
Some details may vary from illustration  
25

**Brake Pads**

**10X.05420**

**Girling ABS**

Uses shim kit #: 115.10052 -Driftlock



FMSI:  
7423-D542  
7512-D634

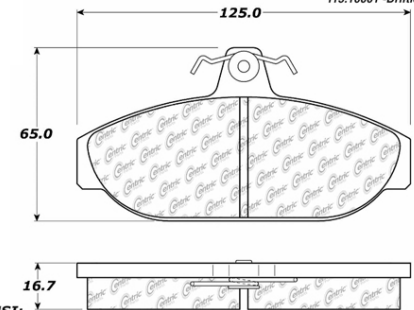
**Brake Pads**

Some details may vary from illustration  
338

**Girling**

**10X.05650**

Uses shim kit #: 115.10001 -Driftlock



FMSI:  
7161-D255  
7444-D565

Some details may vary from illustration  
357

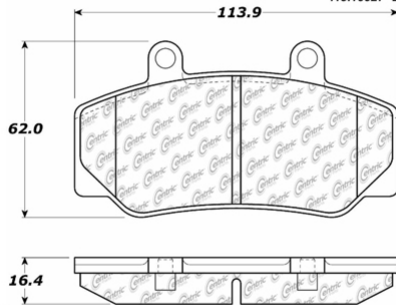
**Brake Pads**

ATE

**Bendix**

**10X.04920**

Uses shim kit #: 115.10027 -Driftlock



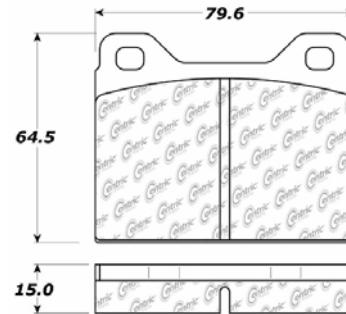
FMSI:  
7372-D492

Some details may vary from illustration  
297

**Brake Pads**

**10X.00560**

**Girling ABS**



FMSI:  
791-D56

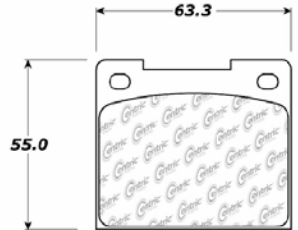
**Brake Pads**

Some details may vary from illustration  
36

# Bromsbelägg Volvo 200/700/900-serie - BAK

## 10X.00440 **Girling**

Uses shim kit #: 115.00067



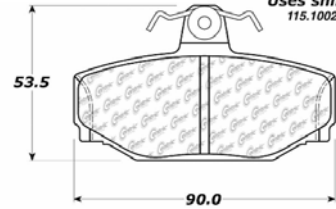
FMSI:  
754-D44  
765-D44

### Brake Pads

Some details may vary from illustration  
26

## **Girling** 10X.03910

Uses shim kit #: 115.10024 -Driftlock



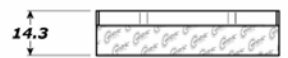
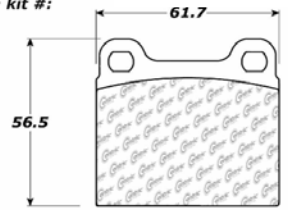
FMSI:  
7279-D391

Some details may vary from illustration  
225

### Brake Pads

## 10X.00310 **ATE**

Uses shim kit #: 115.00017



FMSI:  
736-D31  
7035-D31  
7235-D31  
796-D58  
7032-D125  
7432-D541  
7736-D860  
7736-D861

### Brake Pads

Some details may vary from illustration  
16