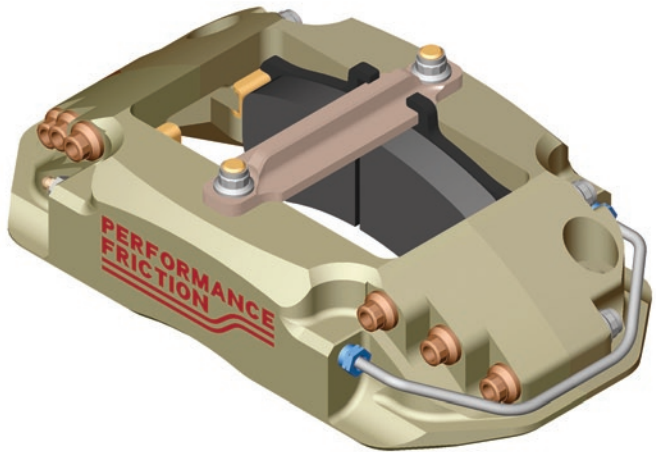
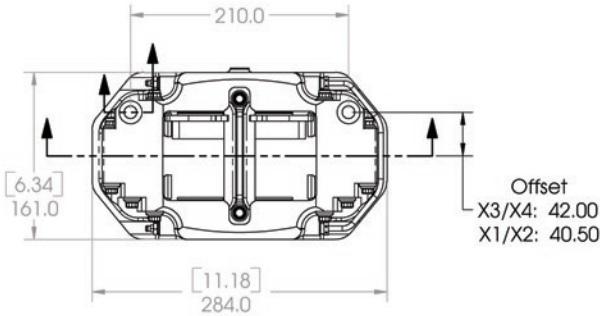


# ZR33 Series Caliper

## Two-piece - 4 piston - Removable bridge

Application	Rear	BMW E46 M3 Rear	Front	Front
Mount Dim. (mm)	210x40.5	210x40.5	210x42	210x42
Piston sizes (mm)	29.0/36.5	29.0/36.5	36.5/41.0	41.0/44.0
Piston area per side (mm <sup>2</sup> )	1706.86	1706.86	2366.6	2840.78
Max disc dia (mm)	355	355	355	355
Max disc thickness (mm)	32	32	35	35
Min disc thickness (mm)	28	28	31	31
Max pad thickness (mm)	21.5	21.5	21.5	21.5
Fluid capacity (cm <sup>3</sup> )	54.6	54.6	75.7	90.9
Max operating pressure	103bar / 1500psi	103bar / 1500psi	103bar / 1500psi	103bar / 1500psi
Pad Shape	7852	7852	7852	7852
Pad area per side(cm <sup>2</sup> )	57.05	57.05	57.05	57.05
Caliper weight	3.16kg / 7.0lbs	3.16kg / 7.0lbs	3.13kg / 6.9lbs	3.10kg / 6.8lbs

Handing	Caliper Part #	Caliper Part #	Caliper Part #	Caliper Part #
Leading Left	33.355.290.365.01	33.355.290.365.05	33.355.365.410.03	33.355.410.440.03
Leading Right	33.355.290.365.02	33.355.290.365.06	33.355.365.410.04	33.355.410.440.04
Trailing Left	33.355.290.365.11	33.355.290.365.15	33.355.365.410.13	33.355.410.440.13
Trailing Right	33.355.290.365.12	33.355.290.365.16	33.355.365.410.14	33.355.410.440.14



33.355.XXX.XXX.XX				
Rotor OD (mm)	Pad Shape	Eff. Radius (mm)	'H' Dim (mm)	'PL' Dim (mm)
355.0	7852	153.5	118.5	58.9
350.0	7852	151.0	116.0	58.9
323.0	7852	137.5	102.5	58.9

