



Applikationslista sport-/racingbelägg till Porsche 2010-03

Alla priser inkl moms, med reservation för ändringar.
Ring för personliga rekommendationer!

StopTech: 690:-

Carbotech XP10: 1700:-

PFC 0031 (97): 1510:-

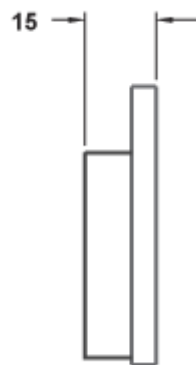
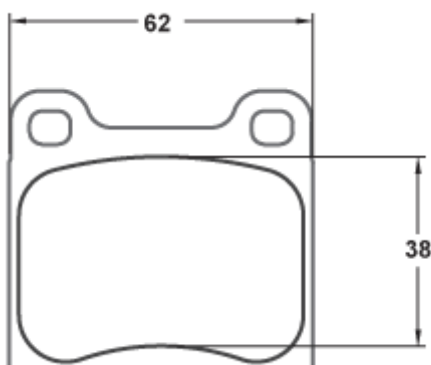
Trickstuff 20910-66: 1260:-

Modell:

911, 65-68, fram

911 Carrera/SC, 75-89, bak

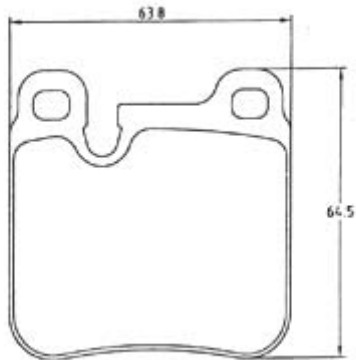
930 Turbo 3.0, bak



Trickstuff 21163-66: 1380:-

Modell:

964 C2, 88-91, bak



StopTech: 780:-

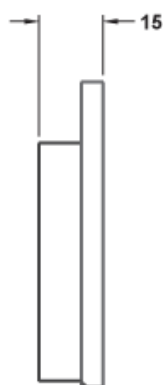
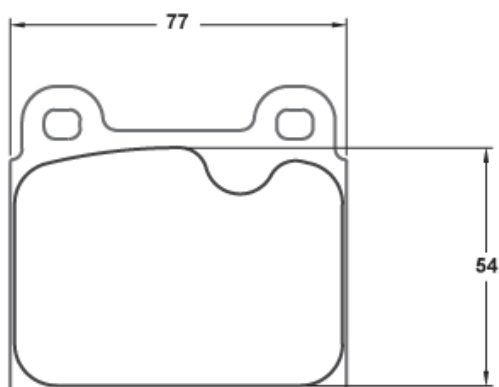
Carbotech XP10: 1730:-

PFC 0045 (97): 1550:-

Trickstuff 20011-66: 1310:-

Modell:

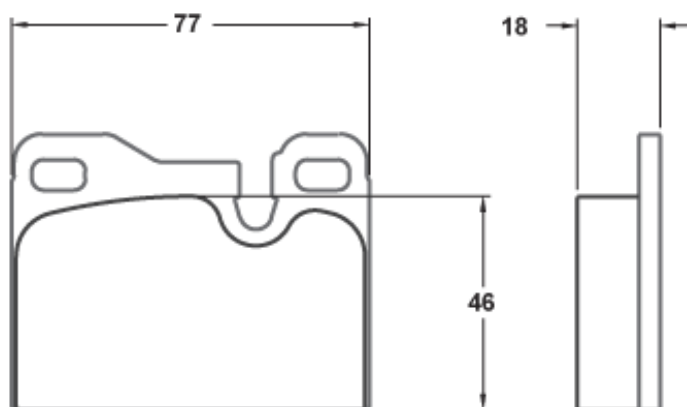
911 Carrera/SC, 75-89, fram



Carbotech XP8: 1570:-

Modell:

924 diverse modeller bak
928 ->85, diverse modeller bak
944 diverse modeller bak



PEAN SWEDEN

www.peansweden.com

StopTech: 990:-

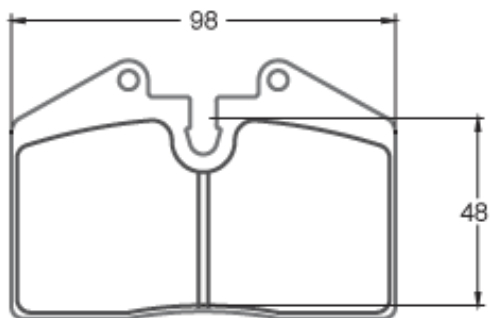
Carbotech XP10: 1850:-

PFC 0345 (97): 1380:-

Trickstuff 20877-TS66: 1650:-

Modell:

930 Turbo, 78-90, fram/bak
944 Turbo, 85-91, fram/bak
944 S2 3.0, 89-91, fram/bak
964 C2/C4, -93, fram/bak
993 C2/C4, bak



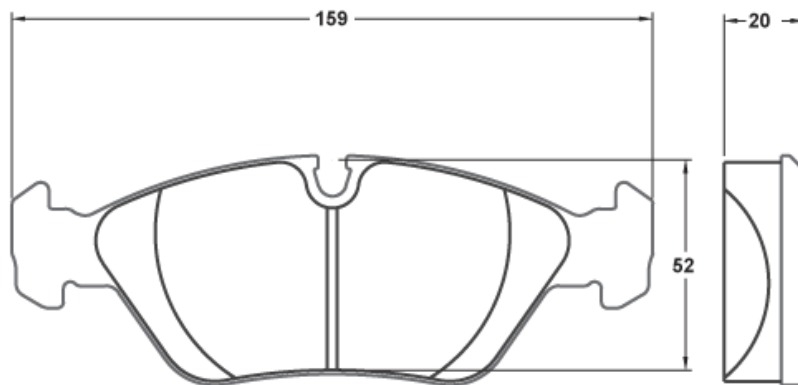
StopTech: 990:-

Carbotech XP10: 1920:-

PFC 0395 (97/01/06): 2620:-

Modell:

928 S, 80-85, fram



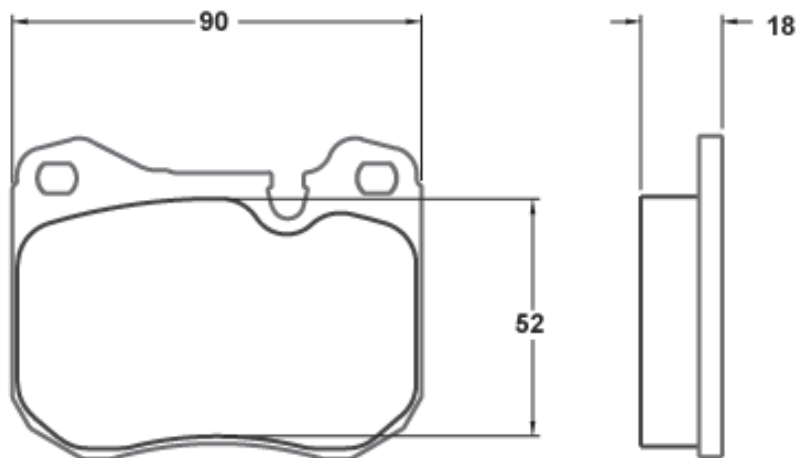
Carbotech XP10: 1780:-

Modell:

924 diverse modeller fram

928 77-80, fram

944 S, 81- fram



StopTech: 1070:-

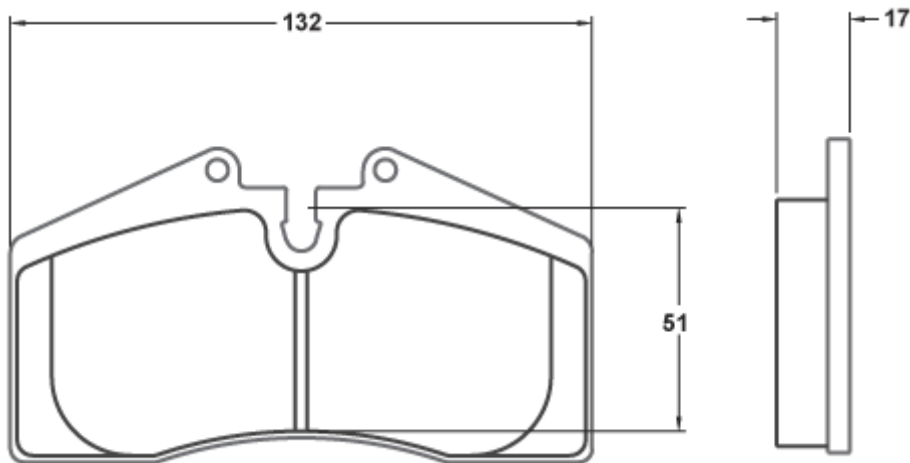
Carbotech XP10: 2000:-

PFC 0447 (97/01/06): 3190:-

Trickstuff 20953-66: 2180:-

Modell:

928 S/S4, 85-88, fram
944 Turbo S, 88-91, fram
964 Turbo/RS, 91-93, fram
993 C2/C4, 96-97, fram
993 RS, bak



Carbotech XP10: 2090:-

PFC 0594 18mm (97/01): 3390:-

Trickstuff 21402-66: 2480:-

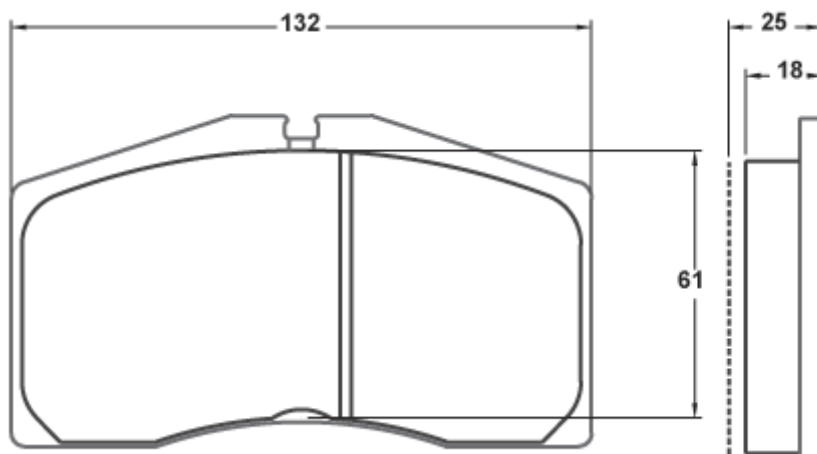
Modell:

'Big red caliper'

964 Turbo, 94-95, fram

993 Turbo/RS/C4S, 96-, fram

996 GT3 RS race (25mm), fram



Carbotech XP10: 2150:-

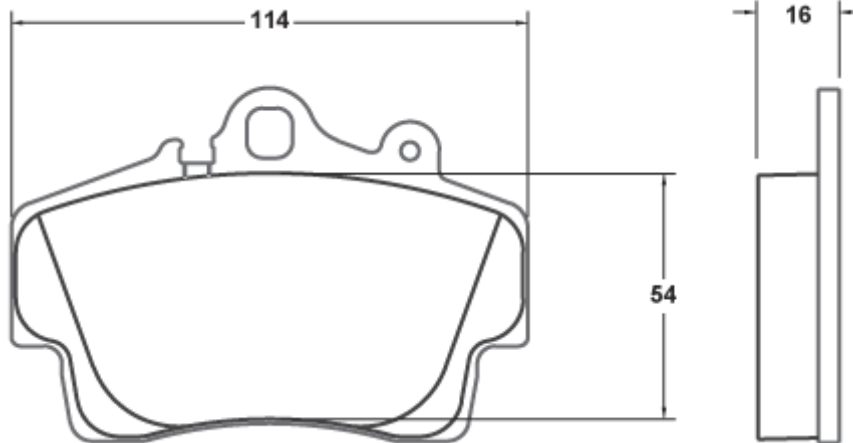
PFC 0737 (97/01): 2730:-

Trickstuff 21937-66: 2310:-

Modell:

986/987 Boxter, fram

Cayman, fram



StopTech: 1200:-

Carbotech XP10: 1900:-

PFC 0738 (97/01/06): 2400:-

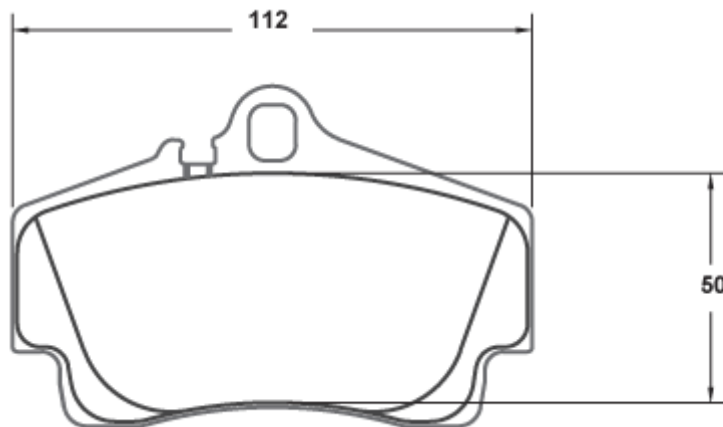
Trickstuff 21792-66: 2180:-

Modell:

986/987 Boxter / Boxter S, bak

996 C2/C4, bak

Cayman / Cayman S, bak



StopTech: 1280:-

Carbotech XP10: 2240:-

PFC 0776 (97/01/06): 2730:-

Trickstuff 21942-66: 2460:-

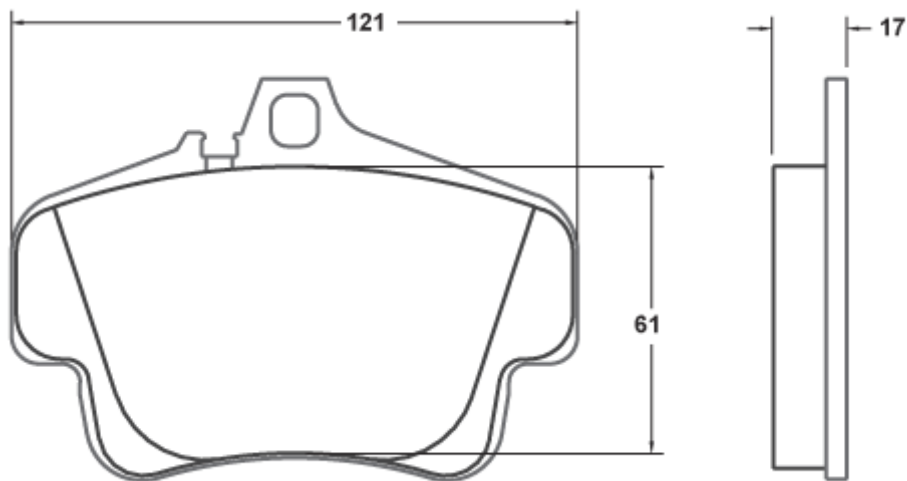
Modell:

986/987 Boxter S, fram

996 C2/C4, fram

996 Turbo, GT3, bak

Cayman S, fram



StopTech: 1460:-

Carbotech XP10: 2440:-

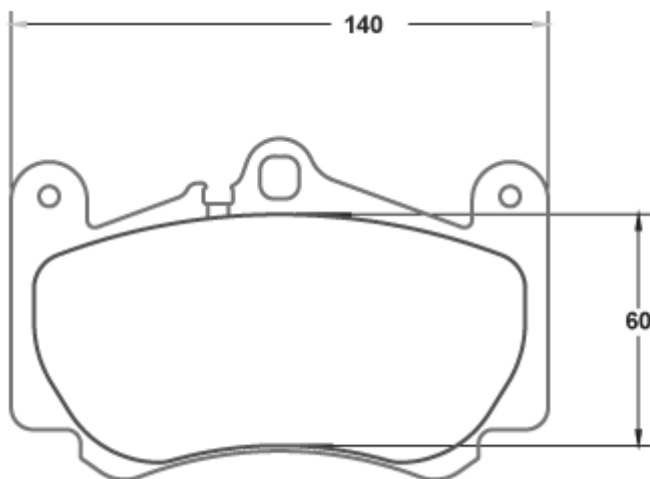
PFC 7818 (97/01): 2440:-

Trickstuff 23139-66: 2350:-

Modell:

996 GT3 Mk I, fram (4-kolv)

997 Carrera S, fram



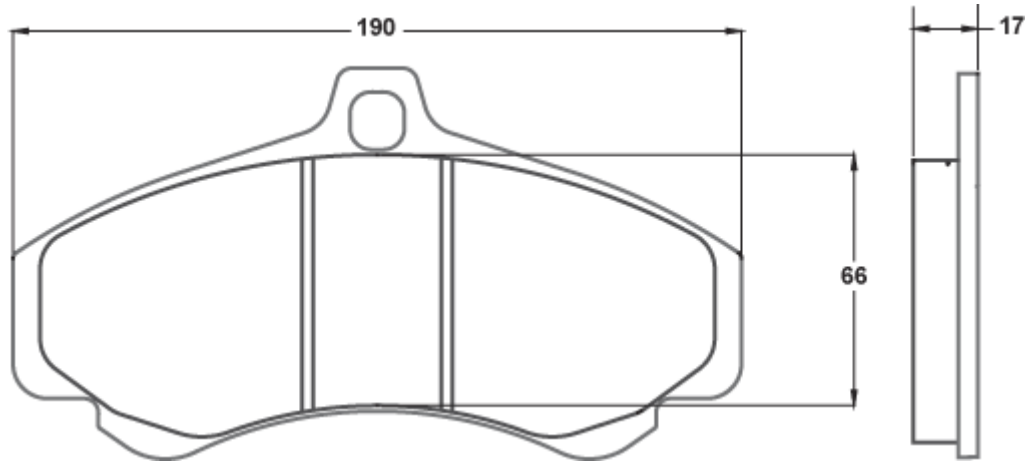
Carbotech XP10: 2780:-

PFC 7819 (97/01/06): 4150:-

Trickstuff 23414-66: 3280:-

Modell:

996 GT3 Mk II, fram (6-kolv)
997 Turbo / GT3



Carbotech XP10: 2550:-

PFC 1299 (97/01/06): 3410:-

Modell:

997 GT2, GT3 bak
997 Turbo bak

